

ONKYO SERVICE MANUAL

QUARTZ SYNTHESIZED TUNER AMPLIFIER MODEL TX-811



Black model

BHUD, BHUDN	120V AC, 60Hz
BHUG	220V AC, 50Hz
BHUQA, BHUQB	240V AC, 50Hz
BHUW	120 or 220V AC, 50/60Hz

SAFETY-RELATED COMPONENT WARNING!!

COMPONENTS IDENTIFIED BY MARK Δ ON THE SCHEMATIC DIAGRAM AND IN THE PARTS LIST ARE CRITICAL FOR RISK OF FIRE AND ELECTRIC SHOCK. REPLACE THESE COMPONENTS WITH ONKYO PARTS WHOSE PART NUMBERS APPEAR AS SHOWN IN THIS MANUAL.

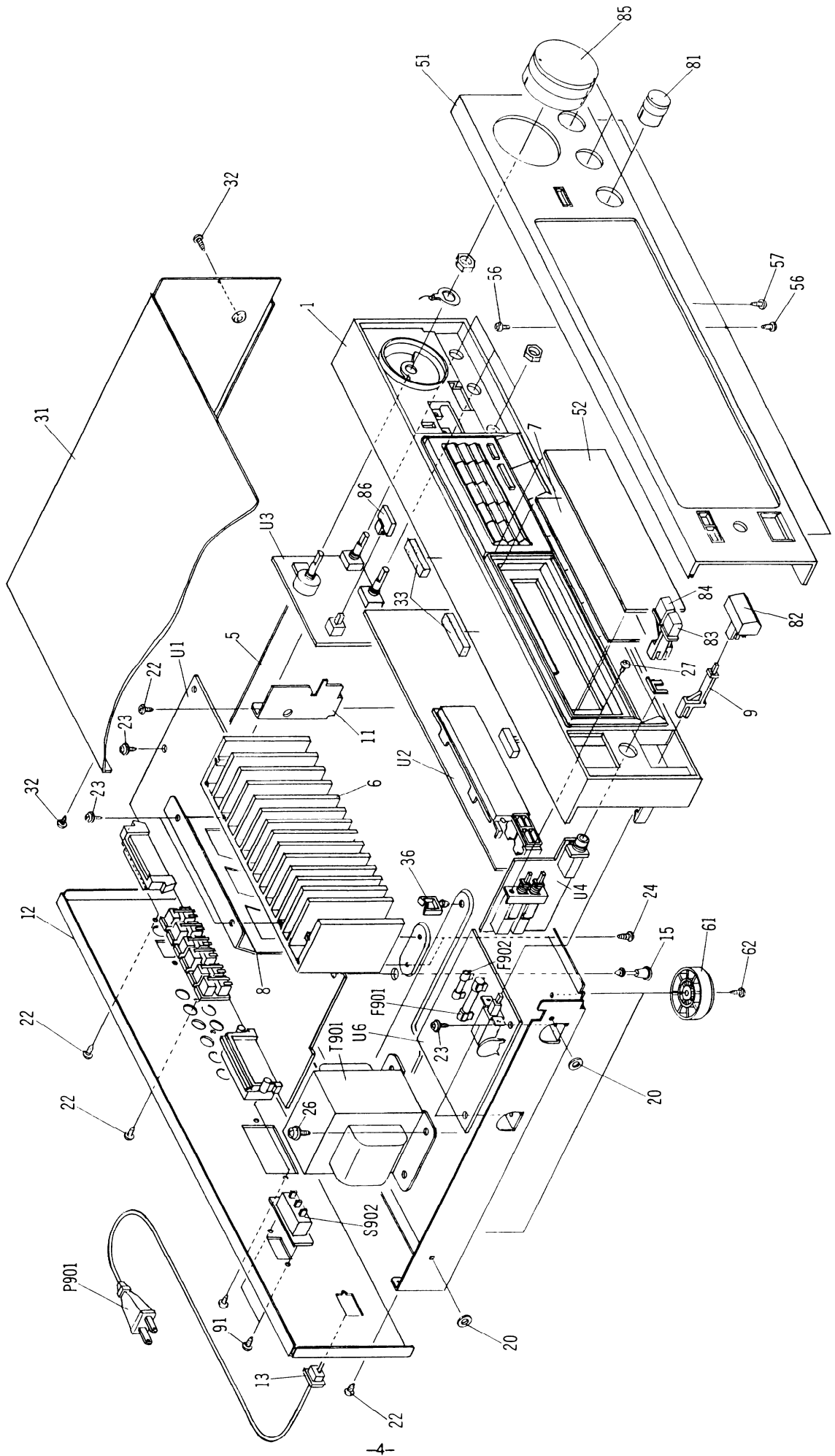
MAKE LEAKAGE-CURRENT OR RESISTANCE MEASUREMENTS TO DETERMINE THAT EXPOSED PARTS ARE ACCEPTABLY INSULATED FROM THE SUPPLY CIRCUIT BEFORE RETURNING THE APPLIANCE TO THE CUSTOMER.

TABLE OF CONTENTS

Specifications	2
Service procedures	3
Exploded view	4
Parts list	5
IC block diagram and descriptions	6
Packing view	12
Adjustment procedures	13
Printed circuit board views	15
Main circuit	15
Display	15
Other pc boards	23
Semi-conductor views	16
Schematic diagram	17
120V model	17
Other models	21
Pc board-parts list	19
Block diagram	24

ONKYO
AUDIO COMPONENTS

EXPLODED VIEW



PARTS LIST

REF. NO.	PART NO.	DESCRIPTION	REF. NO.	PART NO.	DESCRIPTION
1	27110540Y	Front bracket ass'y	S902	25065123	△ NSS-1258P, Voltage selector switch <W>
5	27100187BY	Chassis	T901	2300506Y	△ NPT-1028DM, Power transformer <D>
6	27160210Y	Radiator		2300507Y	△ NPT-1028GM, Power transformer <D>
7	28133241Y	Back plate		2300508Y	△ NPT-1028DGM, Power transformer <G>
8	27130574Y	Bracket, IC		2300509Y	△ NPT-1028QM, Power transformer <W>
9	27273116Y	Joint, POWER	U1	1A207558-4	NAAR-3558-4, Main circuit
11	27130577Y	Bracket, SHIELD		1A207558-4A	NAAR-3558-4A, Main circuit
12	27121320Y	Back panel <D>		1A207558-4B	NAAR-3558-4B, Main circuit
	27121320-1Y	Back panel <G>		1A207559-4	pc board ass'y <W>
	27121320-3Y	Back panel <W>		1A207559-4A	NADIS-3559-4, Display circuit
	27121320-4Y	Back panel <QA/QB>		1A207559-4B	NADIS-3559-4B, Display circuit
13	27300750	△ Bushing(Stramrelief)	U2	1A207560-4	pc board ass'y <D>
15	27190524	KGLS-14R, Holder		1A207560-4A	pc board ass'y <D>
18	28141058Y	14 x 50 x 25, Cushion		1A207561-4	pc board ass'y <D>
20	27270212	Spacer <G/W/QA/QB>		1A207561-4A	NASW-3561-4A, Speaker switch
22	834430088	3TTS+8B(BC), Tapping screw		1A203563-3	NAPS-3563-3, Power supply circuit pc board ass'y
23	831130088	3TTW+8B, Tapping screw		1A203563-3A	NAPS-3563-3A, Power supply circuit pc board ass'y
26	830440089	4TTC+8C(BC), Tapping screw		1A203563-3B	NAPS-3563-3B, Power supply circuit pc board ass'y
27	82143006	3P+6FN(BC), Pan head screw			
31	28184432Y	Top cover	U3	1A207560-4	NAAF-3560-4, Tone circuit
32	834430088	3TTS+8B(BC), Tapping screw		1A207560-4A	NAAF-3560-4A, Tone circuit
33	28140020Y	Cushion		1A207561-4	pc board ass'y <D>
36	27300833	Clamp	U4	1A207561-4	pc board ass'y <D>
51	1A207121	Front panel ass'y		1A207561-4A	NASW-3561-4A, Speaker switch
52	28191504Y	Clear plate		1A203563-3	NAPS-3563-3, Power supply circuit pc board ass'y
56	833430080	3TTP+8P(BC), Tapping screw		1A203563-3A	NAPS-3563-3A, Power supply circuit pc board ass'y
57	834430088	3TTS+8B(BC), Tapping screw			
61	27175219CY	Leg	U6	1A203563-3	NAPS-3563-3, Power supply circuit pc board ass'y
62	834430088	3TTS+8B(BC), Tapping screw		1A203563-3A	NAPS-3563-3A, Power supply circuit pc board ass'y
81	28323310AY	Knob, TONE			
82	28323241-1AY	Knob, POWER			
83	28323314Y	Knob, SPEAKER A			
84	28323316Y	Knob, SPEAKER B			
85	28323689-1	Knob, VOLUME			
86	28323638Y	Knob, LOUDNESS			
91	82143006	3P+6F(BC), Pan head screw <W>			
F901	252049	△ 4A(ST-6), Fuse, primary <D/W>			
F902	252074	△ 2A-SE-EAK, Fuse, primary <G/W/QA/QB>			
P901	253163	△ AS-UC-6#18, Power supply cord <D>			
	253164Y	△ AS-CEE, Power supply cord <G/W>			
	253118	△ AS-SAA, Power supply cord <QA>			
	2300413	△ Power supply cord <QB>			

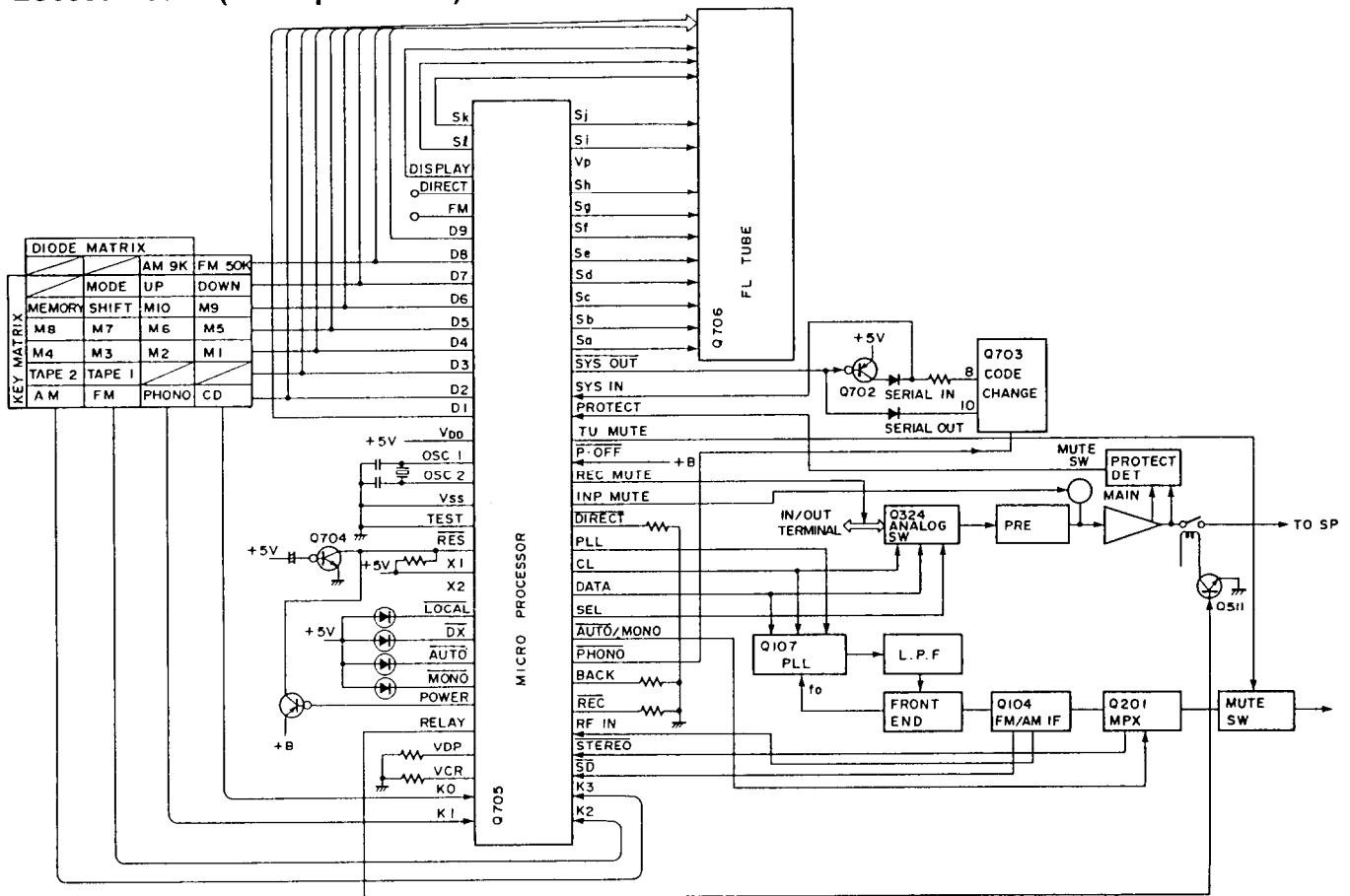
NOTE: <D> : Only 120V model
 <G> : Only 220V model
 <W> : Only Worldwide model
 <QA> : Only Australian model
 <QB> : Only U.K. model

NOTE: THE COMPONENTS IDENTIFIED BY MARK △ ARE CRITICAL FOR RISK OF FIRE AND ELECTRIC SHOCK. REPLACE ONLY WITH PART NUMBERS SPECIFIED.

IC BLOCK DIAGRAM AND DESCRIPTIONS

Q705

LC6538D-3984 (Micro processor)



Pin No.	Terminal	Descriptions
1	Sk	These are the output terminal for segment signal. "H" when active.
2	Sl	
3	DISPLAY	This is the display control output terminal. "H" during FL tube lights on.
4	DIRECT	This is the direct indicator output terminal. Not used.
5	FM	This is FM control output terminal. Not used.
6	D9	These are the output terminal for digit and key scan signal. "H" when active.
7	D8	
8	D7	
9	D6	
10	D5	
11	D4	
12	D3	
13	D2	
14	D1	
15	VDD	This is the device power source terminal. At the time of operation, the supply is 5V. The internal data memory (RAM) is maintained by means of the super capacitor.
16	OSC1	This is the main system clock connection terminal. Connect to the 4.00MHz ceramic oscillator.
17	OSC2	
18	VSS	Ground terminal.
19	TEST	This is the test terminal for LSI. Connect to the ground terminal.
20	RES	This is the reset terminal. Reset at the low level when the power is turned on.
21	X1	These are the sub clock input terminal. Not used.
22	X2	
23	LOCAL	These are the auto reception mode indicator output terminal. "L" when active.
24	DX	
25	AUTO	
26	MONO	

Pin No.	Terminal	Descriptions
27	POWER	This is the power control output terminal. "H" when the power is turned on.
28	RELAY	This is the speaker protection relay control output terminal. "H" when active.
29 30	VDP VCR	These are the video signal control output terminal. Not used.
31 32 33 34	K0 K1 K2 K3	These are the key return signal input terminal. "H" when active.
35	\overline{SD}	This is the auto stop input terminal. Auto tuning stops when this terminal becomes low level.
36	\overline{STEREO}	This is the input terminal for detection of the stereo broadcast. "L" when stereo broadcast.
37	RF IN	This is IF signal level input terminal. DX mode when this terminal becomes the high level.
38 39	REC BACK	These are the mode setting input terminals.
40	PHONO	This is PHONO control output terminal. "L" when selector switch is PHONO.
41	AUTO/MONO	This is AUTO/MONO switching output terminal. "L" when AUTO.
42	SEL	Connect to terminal SEL of analog switch. (Q324 LC7821)
43	DATA	This is the serial data output terminal. Connect to terminal DATA of PLL IC (Q107 LM7001) and terminal DI of analog switch.
44	CLOCK	This is the serial clock output terminal. Connect to terminal CI of PLL IC and terminal DI of analog switch.
45	PLL	Connect to terminal CE of PLL IC.
46	\overline{DIRECT}	This is the direct control output terminal. "L" when active.
47	INP MUTE	This is the muting output terminal for audio amplifier. "H" when the selector switch is operated.
48	REC MUTE	This is the muting output terminal for recording. "H" when the selector switch is operated.
49	$\overline{P. OFF}$	This is the input terminal for detection of stoppage of electric current. "L" when the stoppage of electric current.
50	TU MUTE	This is the muting output terminal of tuner section. "H" when active.
51	PROTECT	This is the detection terminal for protection circuit. The speaker relay turns off when this terminal becomes the high level.
52	SYS IN	This is the system code input terminal. "H" when active.
53	SYS OUT	This is the system code output terminal. "L" when active.
54 55 56 57 58 59 60 61	Sa Sb Sc Sd Se Sf Sg Sh	These are the segment output terminal. "H" when active.
62	VP	This is the power supply terminal for pull-down resistor.
63 64	Si Sj	These are the segment output terminal. "H" when active.

Key and diode matrix

	D1(14)	D2(13)	D3(12)	D4(11)	D5(10)	D6(9)	D7(8)	D8(7)	D9(6)
K3(34)		AM	TAPE-2	M4	M8	MEMORY	DIRECT	PSET30	
K2(33)		FM	TAPE-1	M3	M7	SHIFT	FM MODE	EU1/2	
KI(32)		PHONO	VCR	M2	M6	M10	UP	AM9K	VKEY
K0(31)	POWER	CD	VDP	M1	M5	M9	DOWN	FM50K	PKEY
DIODE MATRIX									

FM50K (FM band setting)

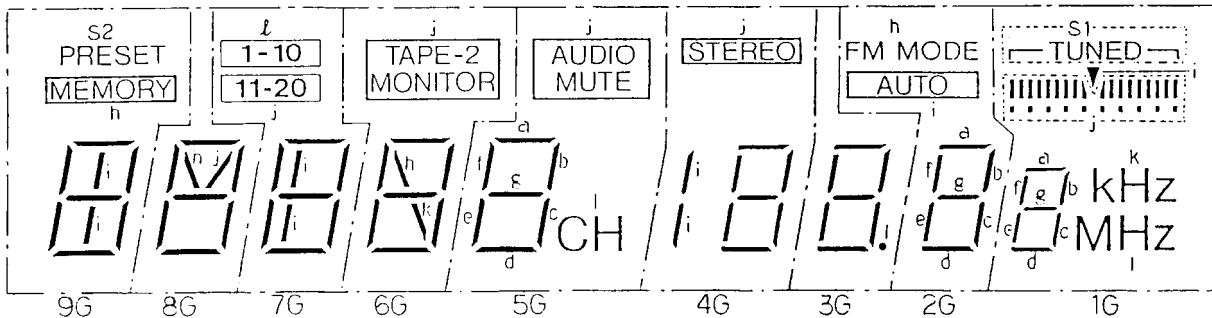
FM50K	Region	Frequency range	Channel space	Reference frequency	IF frequency
1	Europe	87.50 ~ 108.00MHz	50kHz	25kHz	10.7MHz
0	U.S.A.	87.5 ~ 108.0MHz	100kHz	25kHz	10.7MHz

AM9K (AM band setting)

AM9K	Region	Frequency range	Channel space	Reference frequency	IF frequency
1	Europe	522 ~ 1611 kHz	9kHz	9kHz	450kHz
0	U.S.A.	530 ~ 1710 kHz	10kHz	10kHz	450kHz

Q706

FIP9BDM8 (FL tube)



Terminal connection

TERMINAL NO. ELECTRODE	1 F	2 F	3 NP	4 P (j)	5 9G	6 P (i)	7 8G	8 P (h)	9 P (g)	10 7G	11 P (f)	12 NP	13 6G	14 P (e)	15 P (d)	16 P (c)	17 5G	18 P (b)		
TERMINAL NO. ELECTRODE			19 P (a)	20 NP	21 4G	22 P (k)	23 P (l)	24 NP	25 3G	26 P (s2)	27 2G	28 P (s1)	29 1G	30 NP	31 NP	32 NP	33 1G	34 NP	35 F	36 F

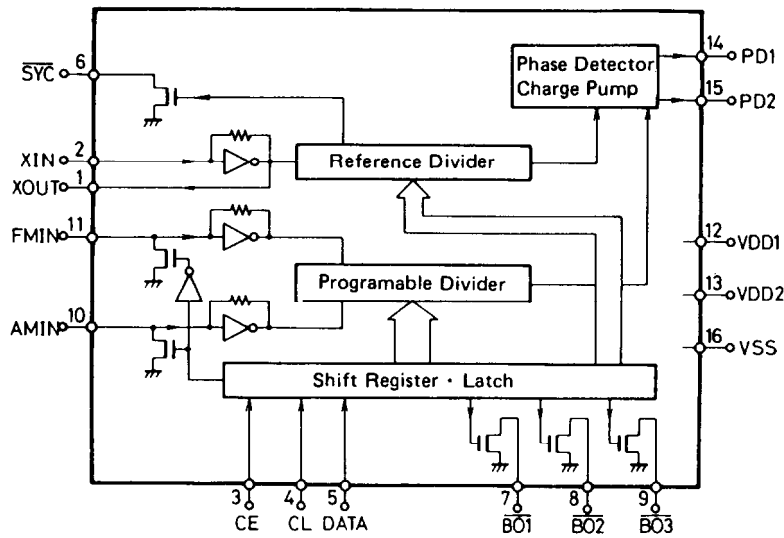
Notes F: Filament NP: No Pin
G: Grid
P: Anode

Connection of fluorescent tube and microprocessor

	D9 (6)	D8 (7)	D7 (8)	D6 (9)	D5 (10)	D4 (11)	D3 (12)	D2 (13)	D1 (14)
Sa (54)	a	a	a	a	a	a	a	a	a
Sb (55)	b	b	b	b	b	b	b	b	b
Sc (56)	c	c	c	c	c	c	c	c	c
Sd (57)	d	d	d	d	d	d	d	d	d
Se (58)	e	e	e	e	e	e	e	e	e
Sf (59)	f	f	f	f	f	f	f	f	f
Sg (60)	g	g	g	g	g	g	g	g	g
Sh (61)	MEMORY	h	h	h				FM MODE	
Si (63)	i	i	i			/	/	AUTO	▼
Sj (64)	j	j	11-20	TAPE-2	MUTING	STEREO		MONO	
Sk (1)			k	k	k				kHz
Sl (2)	l		l-10		CH				MHz

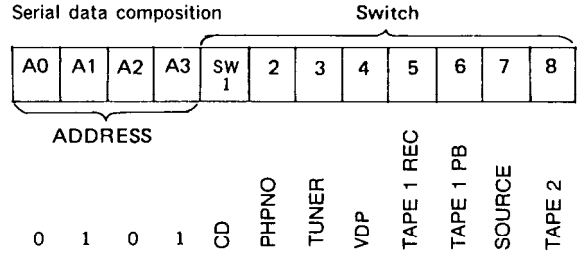
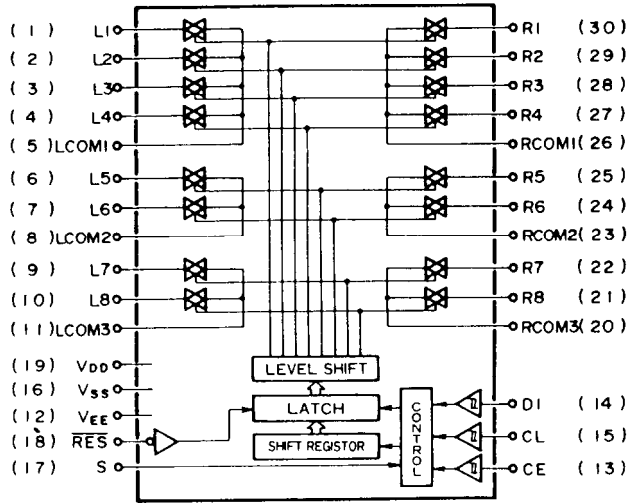
() : Pin number of micro processor

Q107
LM7001 (PLL synthesizer and controller)



Pin No.	Terminal	Description
1	XOUT	Connect to the 7.2 MHz crystal oscillator.
2	XIN	
3	CE	Chip enable terminal. Connect to the PLL terminal of micro processor.
4	CL	Serial clock input terminal. Connect to the CLOCK terminal of microprocessor.
5	DATA	Serial data input terminal. Connect to the DATA terminal of microprocessor.
6	SYN	Not used.
7	BO1	Not used.
8	BO2	FM control signal output terminal. "L" when FM.
9	BO3	AM control signal output terminal. "L" when AM.
10	AMIN	AM local oscillator input terminal.
11	FMIN	FM local oscillator terminal.
12	VDD1	Power supply terminal for back-up.
13	VDD2	Power supply terminal.
14	PD1	Charge pump output of the phase detector which constitutes the PLL. High level is output when the divided local oscillator frequency is high than the reference frequency. In the opposite case, low level is output. Floating occurs when the frequencies matched. The output is applied to the variable capacitor diode in the local oscillator through the low pass filters.
15	PD2	
16	Vss	Ground terminal.

Q324
LC7821 (Analog switch)

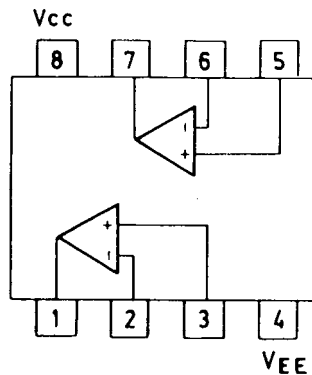


The source becomes ON when the bit of switch becomes the high level.

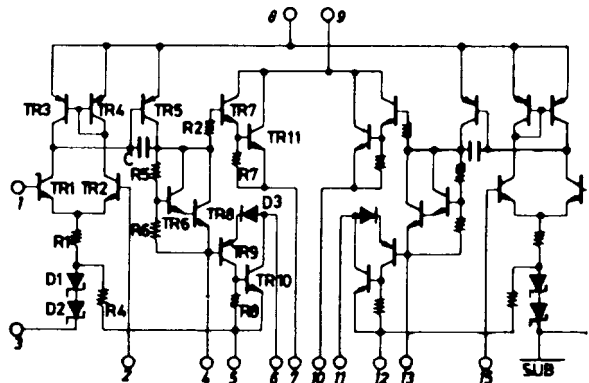
(Q312)

Pin No.	Terminal	Description	Pin No.	Terminal	Description
1	CD	Input/output terminals of audio signal of right channel. Control to the inside analog switch at the serial data.	16	Vss	Ground terminal.
2	---		17	S	Selector terminal.
3	PHONO		18	RES	Reset terminal. When power is turned ON, the condition of the analog switch is not determined, but when this terminal is "L", all analog switches are OFF.
4	TUNER		19	VDD	Power supply terminal. (+15V)
5	L COM 1		20	R COM 3	Input/output terminals of audio signal of left channel. Control to the inside analog switch at the serial data.
6	VDP		21	---	
7	VCR PLAY		22	TAPE 1 PLAY	
8	L COM 2		23	R COM 2	
9	TAPE 1 PLAY		24	VCR PLAY	
10	---		25	VDP	
11	L COM 3		26	R COM 1	
12	VEE	27	TUNER		
13	CE	28	PHONO		
14	DI	29	---		
15	CL	30	CD		

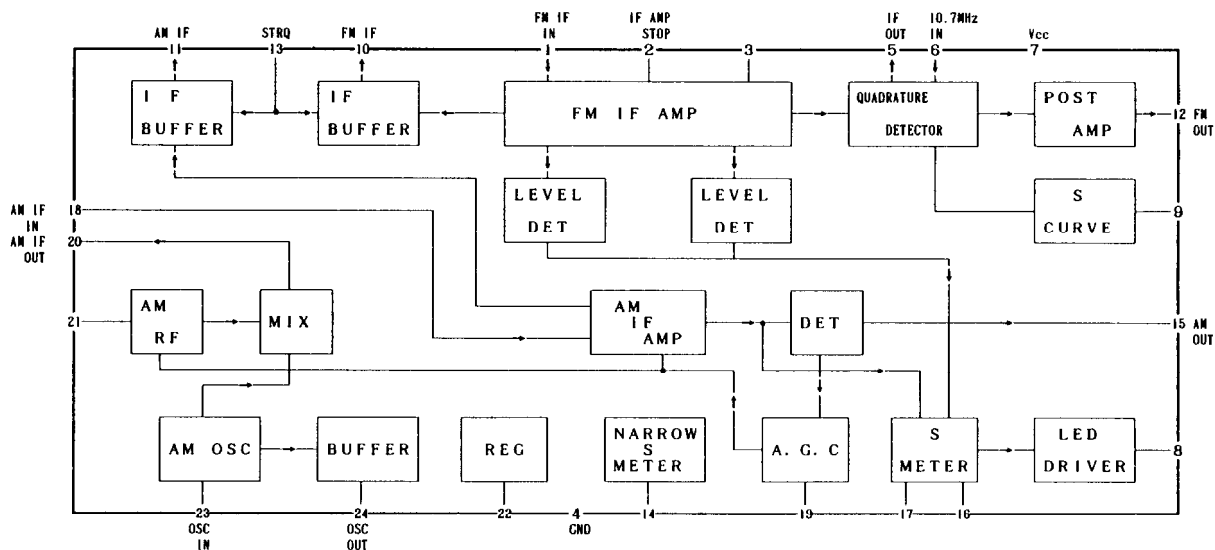
Q301, Q401, Q402
NJM4558D-X (Operation amplifier)



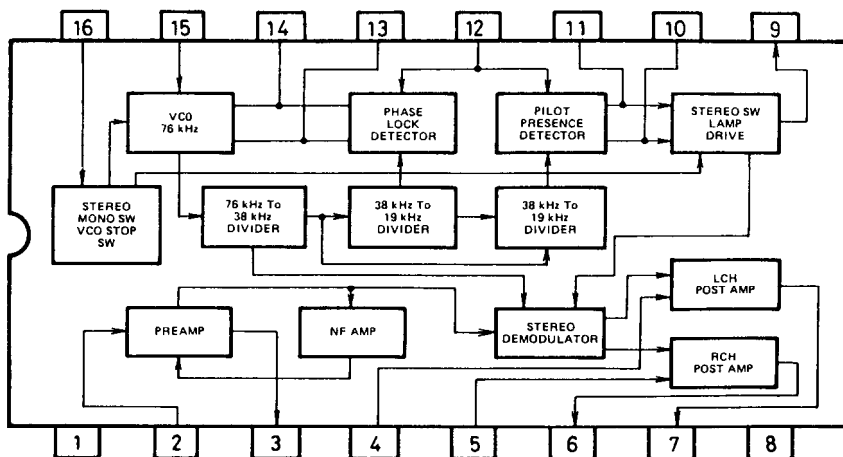
Q501
STK4151V (Power amplifier IC)



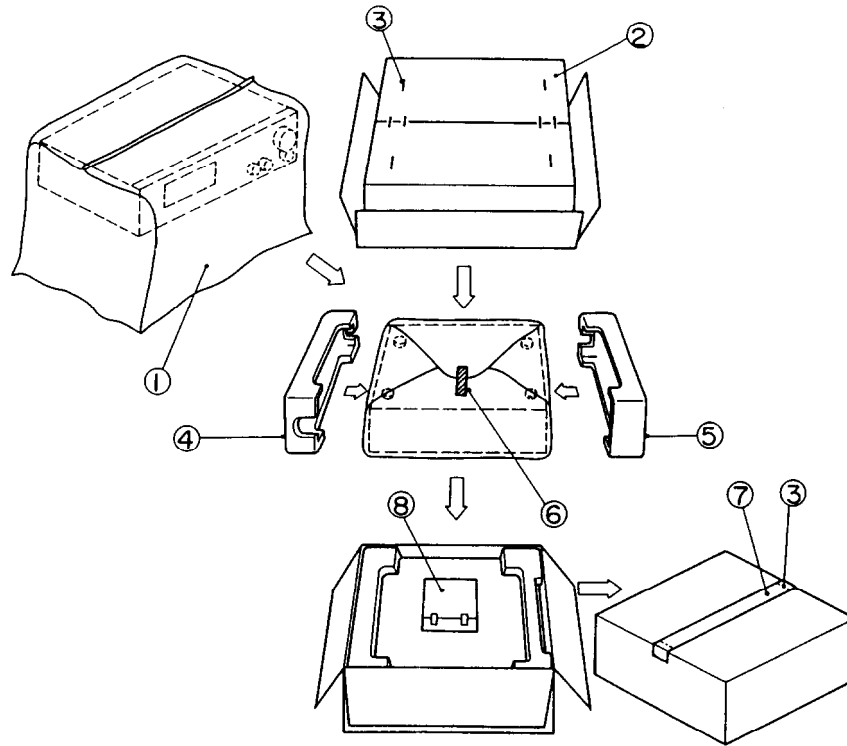
Q104
LN1266 (FM IF & AM radio system)



Q201
AN7470 (Stereo decoder)



PACKING VIEW



REF. NO.	PART NO.	DESCRIPTION
1	29100034AY	850 × 650mm, Poly-vinyl bag
2	29052022Y	Master carton box
3	282301	Sealing hook
4	29091328BY	Pad R
5	29091327BY	Pad L
6	261504	Adhesive tape
7	260012	Dampson tape
8	Accessory bag ass'y	
-120V model-		
	29341487Y	Instruction manual
	29341488Y	Instruction manual (Canadian model)
	292064B	FM antenna
	232140	NMA-3057, AM loop antenna
	29100097Y	250 × 350mm, Poly-vinyl bag
	29365019Y	Warranty card (U.S.A. model)
	29358002GY	Service station list (U.S.A. model)
-220V/240V models-		
	29341488Y	Instruction manual
	292092	FM antenna
	232140	NMA-3057, AM loop antenna
	29100097Y	250 × 350mm, Poly-vinyl bag
	25060123	FM adaptor (240V model)
-Worldwide model-		
	29341488Y	Instruction manual
	292092	FM antenna
	232140	NMA-3057, AM loop antenna
	29100097Y	250 × 350mm, Poly-vinyl bag
	25060123	FM adaptor
	25055040	CV-K-2, Conversion plug

PRINTED CIRCUIT BOARD PARTS LIST

MAIN CIRCUIT PC BOARD (NAAR-3558-4/4A/4B)

CIRCUIT NO.	PART NO.	DESCRIPTION	CIRCUIT NO.	PART NO.	DESCRIPTION
	Front end			Ceramic filters	
U001	240084	TFFG2U122A <D>	X101, X103	3010071	SFE10.7MA5 <D>
	240085	TFFG4E122A <G/W>	X101	3010070	SFE10.7MS3GYA <G/W>
	ICs		X102	3010137	SFE10.7MMK <G/W>
Q104	22240039	LA1266	X151	3010123	SFZ450JL
Q107	22240090	LM7001	X152	3010076	BFU450C
Q201	22240242	AN7470		X'tal	
Q301	222502	NJM4558D-X	X104	3010158Y	XTL-7.2M
Q324	22240079	LC7821		Capacitors	
Q501	222044	STK4151V	C001	354741009	10 μ F, 16V, Elect.
Q902	222780125	78M12HF	C106	354784799	0.47 μ F, 50V, Elect.
Q906	222780055	78M05HF	C107	354742209	22 μ F, 16V, Elect.
	Transistors		C108	354784709	47 μ F, 50V, Elect.
Q101	2211723	2SC1923-O	C112	354780229	2.2 μ F, 50V, Elect.
Q102	2210746	2SC945A-P <G/W>	C113	354784799	0.47 μ F, 50V, Elect.
Q103	2211255	2SC1815-GR	C116	371122234	0.022 μ F \pm 5%, 50V, Mylar
Q105	2212294	2SK108-D	C117	371123334	0.033 μ F \pm 5%, 50V, Mylar
Q106	2211255	2SC1815-GR	C118	354780229	2.2 μ F, 50V, Elect.
Q108, Q109	2213090	DTA114YS	C119	354782299	0.22 μ F, 50V, Elect.
Q202, Q323	2211455	2SA1015-GR	C123	354721019	100 μ F, 6.3V, Elect.
Q203, Q204	2212285	2SC2878-A	C154	354780479	4.7 μ F, 50V, Elect.
Q321, Q322	2212286	2SC2878-B	C155	354784709	47 μ F, 50V, Elect.
Q503, Q504	2212285 or	2SC2878-A or	C156, C157	354741009	10 μ F, 16V, Elect.
	2212286	2SC2878-B	C159	371123334	0.033 μ F \pm 5%, 50V, Mylar
Q505, Q506	2211455	2SA1015-GR	C160	371122234	0.022 μ F \pm 5%, 50V, Mylar
Q507, Q508	2211732 or	2SC1845-F or	C201	354744719	470 μ F, 16V, Elect.
	2211733	2SC1845-E	C202	354741009	10 μ F, 16V, Elect.
Q509, Q510	2211255	2SC1815-GR	C204, C205	371121824	1800 pF \pm 5%, 50V, Mylar <D>
Q511	2210746	2SC945A-P		371121224	1200 pF \pm 5%, 50V, Mylar <G>
Q903	2211455	2SA1015-GR		371121524	1500 pF \pm 5%, 50V, Mylar <W>
	Diodes		C206	371124734	0.047 μ F \pm 5%, 50V, Mylar
D101, D102	223132	1K60	C207	370134714	470pF \pm 5%, 100V, APS
D103	223150,	US1040,	C208	354780109	1 μ F, 50V, Elect.
	223145 or	1S2076TD or	C209	354780339	3.3 μ F, 50V, Elect.
	223124	1S2473	C210	354782299	0.22 μ F, 50V, Elect.
D201, D501	223163	1SS133	C212, C213	354741009	10 μ F, 16V, Elect.
D502	224150512	05AZ5.1Y	C215, C216	354780229	2.2 μ F, 50V, Elect.
D503	223163	1SS133	C217, C218	371123924	3900pF \pm 5%, 50V, Mylar
D901	22380023	RBV401	C219	354780229	2.2 μ F, 50V, Elect.
D902	223862 or	WL01 or	C301, C302	354780229	2.2 μ F, 50V, Elect.
	223890	W01RL	C307, C308	354721019	100 μ F, 6.3V, Elect.
D903, D904	224151203	05AZ12Z	C309, C310	371126224	6200pF \pm 5%, 50V, Mylar
D906	223880 or	GP101N4003 or	C311, C312	371121824	1800pF \pm 5%, 50V, Mylar
	223896	1N4003F	C313, C314	354780229	2.2 μ F, 50V, Elect.
D907	223163	1SS133	C315, C316	354741019	100 μ F, 16V, Elect.
D908	224152704	05AZ27R	C333	354741009	10 μ F, 16V, Elect.
D910	224150512	05AZ5.1Y	C334	354780229	2.2 μ F, 50V, Elect.
	Transformers		C501, C502	354780229	2.2 μ F, 50V, Elect.
L101	233401	NFIF-4072	C507, C508	354742219	220 μ F, 16V, Elect.
L102	233402	NFIF-4073	C511, C512	354784709	47 μ F, 50V, Elect.
L152	232139	NMIF-4062	C513, C514	354781019	100 μ F, 50V, Elect.
	Coils		C515	354781009	10 μ F, 50V, Elect.
L103	233383	NMC-6070 <G/W>	C521, C522	371124734	0.047 μ F \pm 5%, 50V, Mylar
L201, L202	233294	NMC-5040 <G/W>	C523	354722219	220 μ F, 6.3V, Elect.
L501, L502	231001	S-1.3B	C525	354780479	4.7 μ F, 50V, Elect.
	RF block		C526	354780109	1 μ F, 50V, Elect.
L151	232152	NMRF-7052	C905, C906	3504207	6800 μ F, 50V, Elect.
			C907, C908	354742219	220 μ F, 16V, Elect.
			C910, C912	354784709	47 μ F, 50V, Elect.
			C911	354752229	2200 μ F, 25V, Elect.
			C915, C919	354781009	10 μ F, 50V, Elect.
			C917, C921	354741009	10 μ F, 16V, Elect.
			Resistors		
			R101	5210070 or	N06HR100KBD
				5210221	Semi-fixed

CIRCUIT NO.	PART NO.	DESCRIPTION	CIRCUIT NO.	PART NO.	DESCRIPTION
R201	5210062 or 5210216	N06HR4.7KBD or N06HR5KBD, Semi-fixed	X702	OSC element 3010150	CST4.00MGW
R202	5210072 or 5210222	N06HR220KBD or N06HR200KBD, Semi-fixed	L701	Coil 233400K220 or 233409K220	NCH-2238 or NCH-1284
R513-R516	442523324	3.3kohm, 1/2W, Metal oxide film	C704	Capacitors 3000051	0.047F, 5.5V, Super
R517, R518	442520914	9.1ohm, 1/2W, Metal oxide film	C707	353780109	1 μ F, 50V, Elect.
R519, R520	4500001	BPR2FK-0.1, Metal plate	C708	375524744	0.47 μ F \pm 5%, 50V, Plastic (MMT)
R527-R530	442520824	8.2ohm, 1/2W, Metal oxide film	R709	49163473406	47kohm \times 6, 1/10W, Network
R902, R903	441729114	910ohm, 2W, Metal oxide film	R711	49163104404	100kohm \times 4, 1/10W, Network
R904	441726804	68ohm, 2W, Metal oxide film	R717	49163473404	47kohm \times 4, 1/10W, Network
R906	442521004	10ohm, 1/2W, Metal oxide film	S701-S721	Switches 25035548	NPS-111-S510
R913	442520104	1ohm, 1/2W, Metal oxide film	S722	25065286	NSS-22112, Slide, band <W>
P001	Terminals 25060085 25060087	NTM-4PDMN29, Antenna <D> NTM-2PDMN31, Antenna <G/W>	S701-S721	Holder 27190700	L.E.D
P501	25060093	NTM-8PDML34, Speaker			
P301	25045252	NPJ-6PDBL124			
P302	25045213	NPJ-6PDBL92			
RL501	Relay 25065339	NRL-2P5A-DC24-046			

DISPLAY CIRCUIT PC BOARD (NADIS-3559-4/4A/4B)

CIRCUIT NO.	PART NO.	DESCRIPTION
	IC	
Q705	22240244 22240277 or 22240319	LC6538D-3984, LC6538D-4120 or LC6538D-4297
	Transistor	
Q707	2212600	DTA124ES
Q704	221282	DTC144ES
	FL tube	
Q706	212075	FIP9BDM8
	Diodes	
D708-D711	223150,	US1040,
D714-D717	223145 or 223124	1S2076TD or 1S2473
D712	223163	1SS133 <G>
D713	223150, 223145 or 223124	US1040, 1S2076TD or 1S2473 <G>
D718-D720	223163	1SS133
D721	223150, 223145 or 223124	US1040, 1S2076TD or 1S2473
D722, D733	223163	1SS133
D729	224150623	05AZ6.2C
D730, D732	223163	1SS133 <W>
D731	223150, 223145 or 223124	US1040, 1S2076TD or 1S2473 <W>
	L.E.Ds	
D723, D725	225137CG, 225137DG or 225137DY	SEL2413E-CG, SEL2413E-DG or SEL2413E-DY
D724, D726	225142	SEL2913K

TONE CIRCUIT PC BOARD (NAAF-3560-4/4A)

CIRCUIT NO.	PART NO.	DESCRIPTION
	ICs	
Q401, Q402	222502	NJM4558D-X
	Capacitors	
C401, C402	354780229	2.2 μ F, 50V, Elect.
C405, C406	354780229	2.2 μ F, 50V, Elect.
C407, C408	371122234	0.022 μ F \pm 5%, 50V, Mylar
C409, C410	354780339	3.3 μ F, 50V, Elect.
C411, C412	371122234	0.022 μ F \pm 5%, 50V, Mylar
C413, C414	353744709	47 μ F, 16V, Elect.
C443, C444	371124734	0.047 μ F \pm 5%, 50V, Mylar
	Resistors	
R405	5104228	N11RHC250KWT22Z, Variable, Balance
R417	5104229	N14RHC100KWT22Z, Variable, Treble
R421	5104229	N14RHC100KWT22Z, Variable, Bass
R449	5142001	N16RGP100KBTP25, Variable, Volume
	Switch	
S441	25035611	NPS-122-L573

SPEAKER SWITCH PC BOARD (NASW-3561-4/4A)

CIRCUIT NO.	PART NO.	DESCRIPTION
R551, R552	441622714	270ohm, 1W, Metal oxide film resistors
S551	25035610	NPS-122-142-L572, Speaker switch
P551	25045256	YKB21-5010, Headphone jack <D>
	25045255	YKB21-5009, Headphone jack <G/W>

POWER SUPPLY PC BOARD

POWER SUPPLY CIRCUIT PC BOARD (NAPS-3563-3/3A/3B)

CIRCUIT NO.	PART NO.	DESCRIPTION
C901	3500065A	⚠ DE7150FZ103P AC400V/125V, Capacitor IS
	27301216	⚠ SB1925, Cover for C901 <G/W>
R901	431523355	⚠ 3.3Mohm, 1/2W, Solid resistor <D>
S901	25035550	⚠ NPS-111-L512P, Power switch

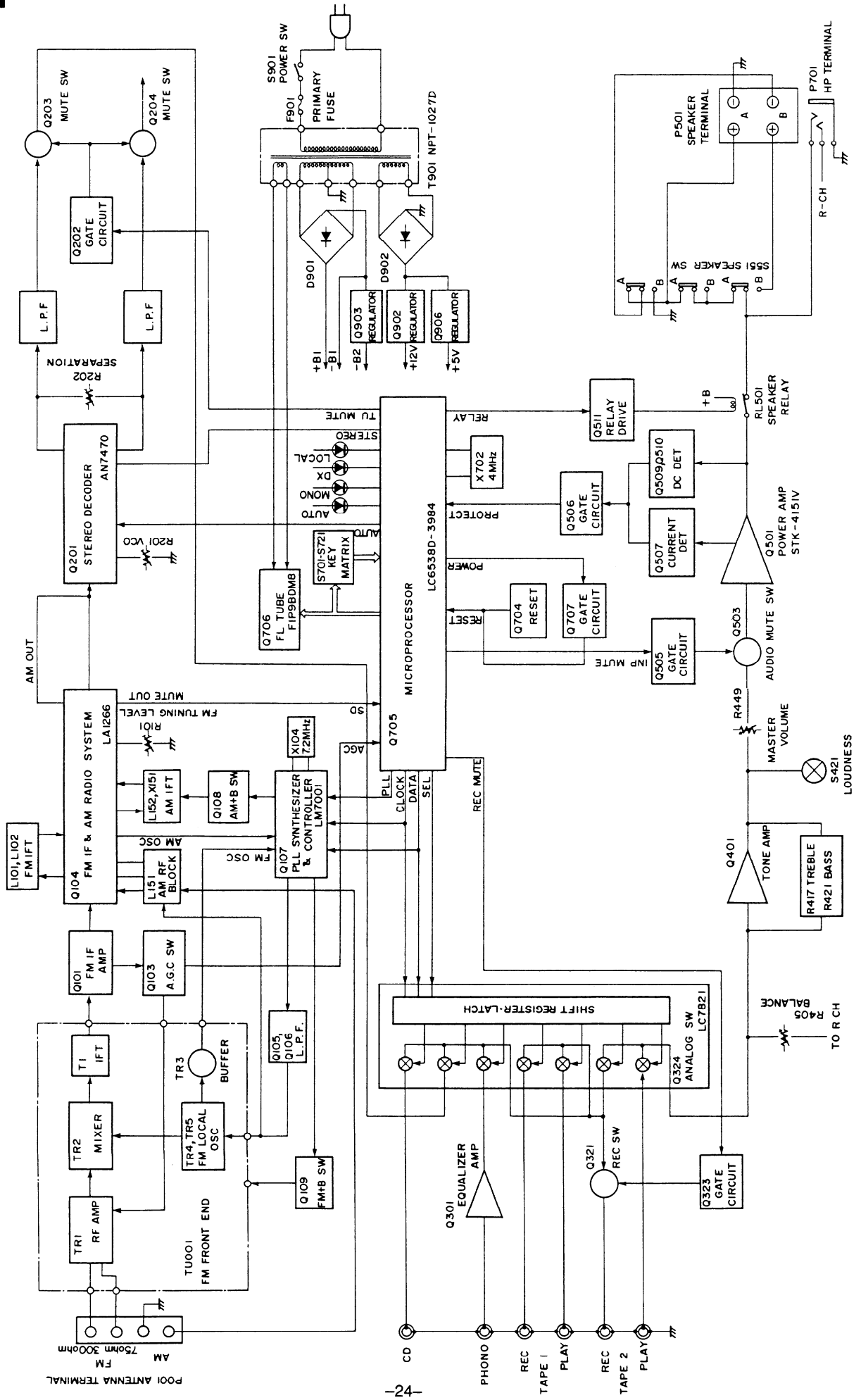
NOTE: THE COMPONENTS IDENTIFIED BY MARK ⚠ ARE CRITICAL FOR RISK OF FIRE AND ELECTRIC SHOCK. REPLACE ONLY WITH PART NUMBERS SPECIFIED.

CIRCUIT NO.	PART NO.	DESCRIPTION
F901a	250113	⚠ SN5051, Fuseholder <D/W>
F902a	25050065	⚠ YSH4037, Fuseholder <G/W>
F901	252049	⚠ 4A(ST-6), Fuse, primary <D/W>
F902	252074	⚠ 2A-SE-EAK, Fuse, primary <G/W>

NOTE: <D> : Only 120V model
<G> : Only 220V/240V models
<W> : Only Worldwide model

BLOCK DIAGRAM

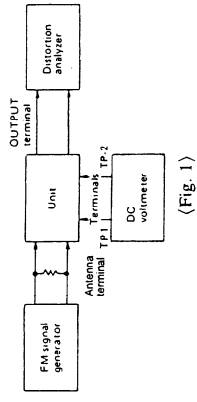
— 120V MODEL —



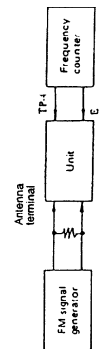
ADJUSTMENT PROCEDURES

FM section

Item	Step	Connection of instrument	FM SG output	Stereo modulator output	Tuned frequency	Output indicator	Adjustment point	Adjust for	Remarks
I F	1	Fig. 1	99.1MHz 1k Hz, 75kHz devi. 65dB(60dB)	—	99.1MHz	DC voltmeter	L101	0 ± 20mV	Set the FM mode switch to MONG. Repeat the steps 1 and 2 until no further adjustment is necessary.
	Distortion analyzer					L102	Minimum		
V C O		Fig. 2	99.1MHz 1k Hz, 75kHz devi. 65dB(60dB)	—	99.1MHz	Frequency counter	R201	19kHz ± 10Hz	Set the FM mode switch to AUTO.
Stereo distortion		Fig. 3	99.1MHz Ext. modulation 65dB(60dB)	L+R 1k Hz 67.5kHz devi.	99.1MHz	Distortion analyzer	IF on front end	Minimum	Maximum and same separation
				Lch. 1kHz Rch. 1kHz	99.1MHz	Rch. AC voltmeter Lch. AC voltmeter	R202	Minimum Minimum	
Tuned indicator level	1	Fig. 3	99.1MHz 1k Hz, 75kHz devi. 9.2dB(1.4dB)(130V model) 12dB (other models)	—	99.1MHz	TUNED indicator	R101	Light on	
	2					99.1MHz 1k Hz, 75kHz devi. 18.2dB(1.3dB) 11dB (other models)	—	99.1MHz	

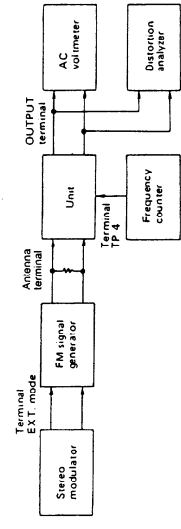


(Fig. 1)



(Fig. 2)

Use the high impedance probe. (10:1)

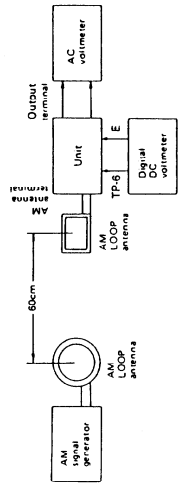


(Fig. 3)

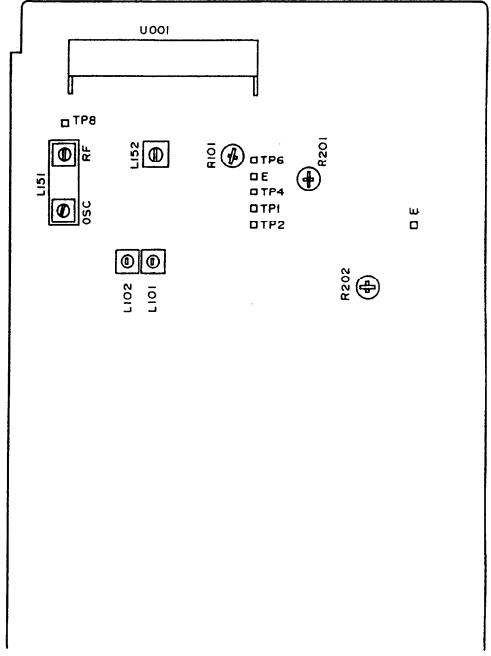
AM section

Step	AM SG output	Tuned Frequency	Output indicator	Adjustment point	Adjust for
1	—	522kHz (530kHz) (531kHz)	Digital DC voltmeter	OSC coil on RF block	1.5V ± 0.1V
2	603kHz, 60dB/m (600kHz) 400Hz 30% mod.	603kHz (600kHz)	A C voltmeter	RF coil on R F block	Maximum
3	990kHz, 60dB/m (900kHz) 30% mod.	990kHz	A C voltmeter	L152	Maximum

Note: () :120V model (10kHz step)
< > :Worldwide model



Reference specifications
Tuned voltage AM 530kHz (U.S.A. model) 1.5 ± 0.4V
 522kHz (European model) 1.5 ± 0.4V
 1710kHz (U.S.A. model) 8.0 ± 0.5V
 1611kHz (Europe in model) 7.5 ± 0.5V
FM 87.9MHz (U.S.A. model) 2.0 ± 0.5V
 87.50MHz (European model) 2.0 ± 0.5V
 108.0MHz (U.S.A. model) 7.5 ± 0.5V
 108.0MHz (European model) 7.5 ± 0.5V
Muting width (U.S.A. model) 65 ± 15kHz
 (European model) 35 ± 10kHz
Muting level (U.S.A. model) FM 14 ± 15dB
 (European model) AM Less than 72dB/m
Auto stop level FM Less than 20dB_r
 14 ± 4dB_r
Stereo indicator level



Adjustment point.

SPECIFICATIONS

AMPLIFIER SECTION

Power output:	40 watts per channel, min, RMS, at 8 ohms, both channels driven, from 40Hz to 20kHz, with no more than 0.3% total harmonic distortion.	
Musical Power Output:	2 × 95 watts at 4 ohms, 1kHz (DIN) 2 × 68 watts at 8 ohms, 1kHz (DIN)	
Continuous Power Output:	2 × 50 watts at 4 ohms, 1kHz (DIN) 2 × 45 watts at 8 ohms, 1kHz (DIN)	
Total Harmonic Distortion:	0.3% at rated power 0.1% at 30 watts output	
IM Distortion:	0.3% at rated power 0.1% at 30 watts output	
Damping Factor:	35 at 8 ohms	
Frequency Response:	20 – 30,000Hz ±1dB	
RIAA Diviation:	20 – 20,000Hz ±0.8dB	
Sensitivity and Impedance:	Phono:	2.5mV/50 kohms
	CD:	150mV/50 kohms
	Tape Play:	150mV/50 kohms
	Tape Rec:	150mV/3.5 kohms
Phono Overload (MM):	120mV RMS at 1kHz, 0.3% THD.	
Signal-to-Noise Ratio:	Phono:	80dB (at 5 mV input, A weighted)
	CD/Tape:	100 dB (IHF- A)
Tone controls:	Bass:	±10dB at 100Hz
	Treble:	±10dB at 10kHz

TUNER SECTION

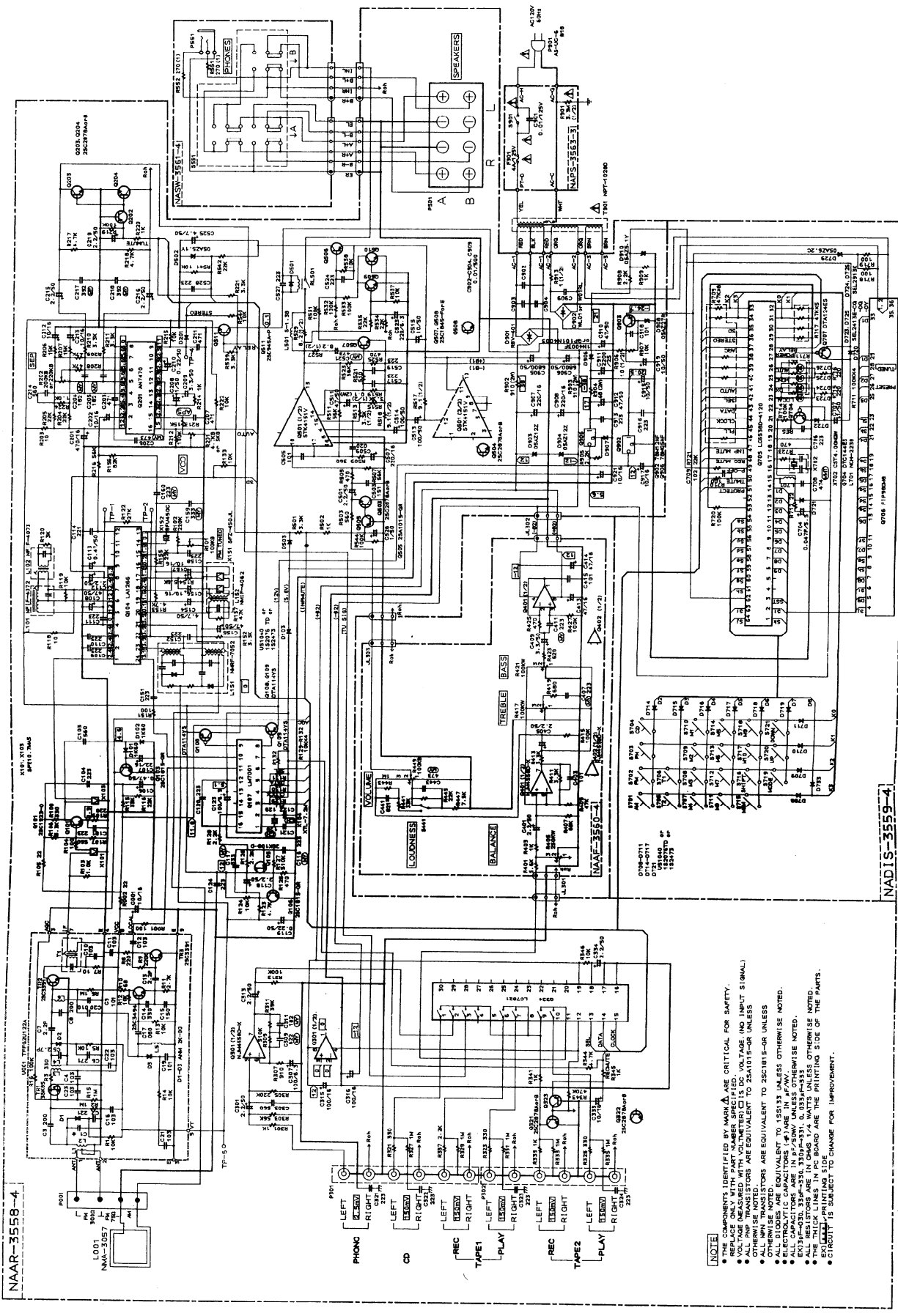
	–220V/240V/ Worldwide models–	–120V model–
FM:		
Tuning Range:	87.50 – 108.00MHz (50kHz steps) 87.50 – 108.00MHz (50kHz steps) or (100kHz steps) (Worldwide model)	87.5 – 108.0MHz (100kHz steps)
Usable Sensitivity:	Mono: 12.4dBf, 1.2μV, 75ohms 1.2μV (S/N 26dB, 40kHz Devi.) 75ohms DIN Stereo: 19.2dBf, 2.5μV, 75ohms 25μV (S/N 46dB, 40kHz Devi.) 75ohms DIN	Mono: 12.4dBf, 2.3μV Stereo: 18.2dBf, 4.5μV
50dB Quieting Sensitivity:	Mono: 18.2dBf, 2.2μV, 75ohms Stereo: 38.2dBf, 22μV, 75ohms	Mono: 18.2dBf, 4.5μV Stereo: 38.2dBf, 45μV
Capture Ratio:	1.5dB	1.5dB
Image Rejection Ratio:	85dB	40dB
IF Rejection Ratio:	90dB	90dB
Signal-to-Noise Ratio:	Mono: 70dB Stereo: 65dB	Mono: 70dB Stereo: 65dB
Alternate Channel Attenuation:		55dB
Selectivity:	50dB DIN (±300kHz, 40kHz dev.)	
AM suppression Ratio:	50dB	50dB
Harmonic Distortion:	Mono: 0.15% Stereo: 0.30%	Mono: 0.15% Stereo: 0.30%
Frequency Response:	30 – 15,000Hz ±1.5dB	30 – 15,000Hz ±1.5dB
Stereo Separation:	40dB at 1kHz 30dB at 100 – 10,000Hz	40dB at 1kHz 30dB at 100 – 10,000Hz
Muting Level:	17.2dBf, 4μV	17.2dBf, 4μV
AM:		
Tuning Range:	522 – 1611kHz (9kHz steps) 522 – 1611kHz (9kHz steps) or 530 – 1710kHz (10kHz steps) (Worldwide model)	530 – 1710kHz (10kHz steps)
Usable Sensitivity:	30μV	30μV
Image Rejection Ratio:	40dB	40dB
IF Rejection Ratio:	40dB	40dB
Signal-to-Noise Ratio:	40dB	40dB
Harmonic Distortion:	0.8%	0.8%

GENERAL

Dimensions (W × H × D):	435 × 115 × 320mm 17-1/8" × 4-1/2" × 12-9/16"
Weight:	6.8kg., 14.8 lbs.

SCHEMATIC DIAGRAM

— 120V MODEL —



NAAR-3558-4

NADIS-3559-4

- NOTE**
- COMPONENTS IDENTIFIED BY MARK Δ ARE CRITICAL FOR SAFETY.
 - REPLACE ONLY WITH PART NUMBER SPECIFIED.
 - VOLTAGE MEASURED WITH VOLTMETER \square IS DC VOLTAGE (NO INPUT SIGNAL).
 - VOLTAGE MEASURED WITH VOLTMETER \square IS AC VOLTAGE (NO INPUT SIGNAL).
 - OTHERWISE NOTED.
 - ALL 50W TRANSISTORS ARE EQUIVALENT TO 2SC1815-OR UNLESS OTHERWISE NOTED.
 - ALL DIODES ARE EQUIVALENT TO 1S5133 UNLESS OTHERWISE NOTED.
 - ALL CAPACITORS CAPACITORS μ F ARE IN μ F/W.
 - ALL CAPACITORS CAPACITORS μ F ARE IN μ F/W UNLESS OTHERWISE NOTED.
 - EXCEPT \square 33P-33P, 33P-33P, 33P-33P, 33P-33P, 33P-33P.
 - ALL DIMENSIONS ARE IN MILLIMETERS UNLESS OTHERWISE NOTED.
 - THE THICK LINES IN PCB BOARD ARE THE PRINTING SIDE OF THE PARTS.
 - CIRCUIT IS SUBJECT TO CHANGE FOR IMPROVEMENT.

A

B

C

D

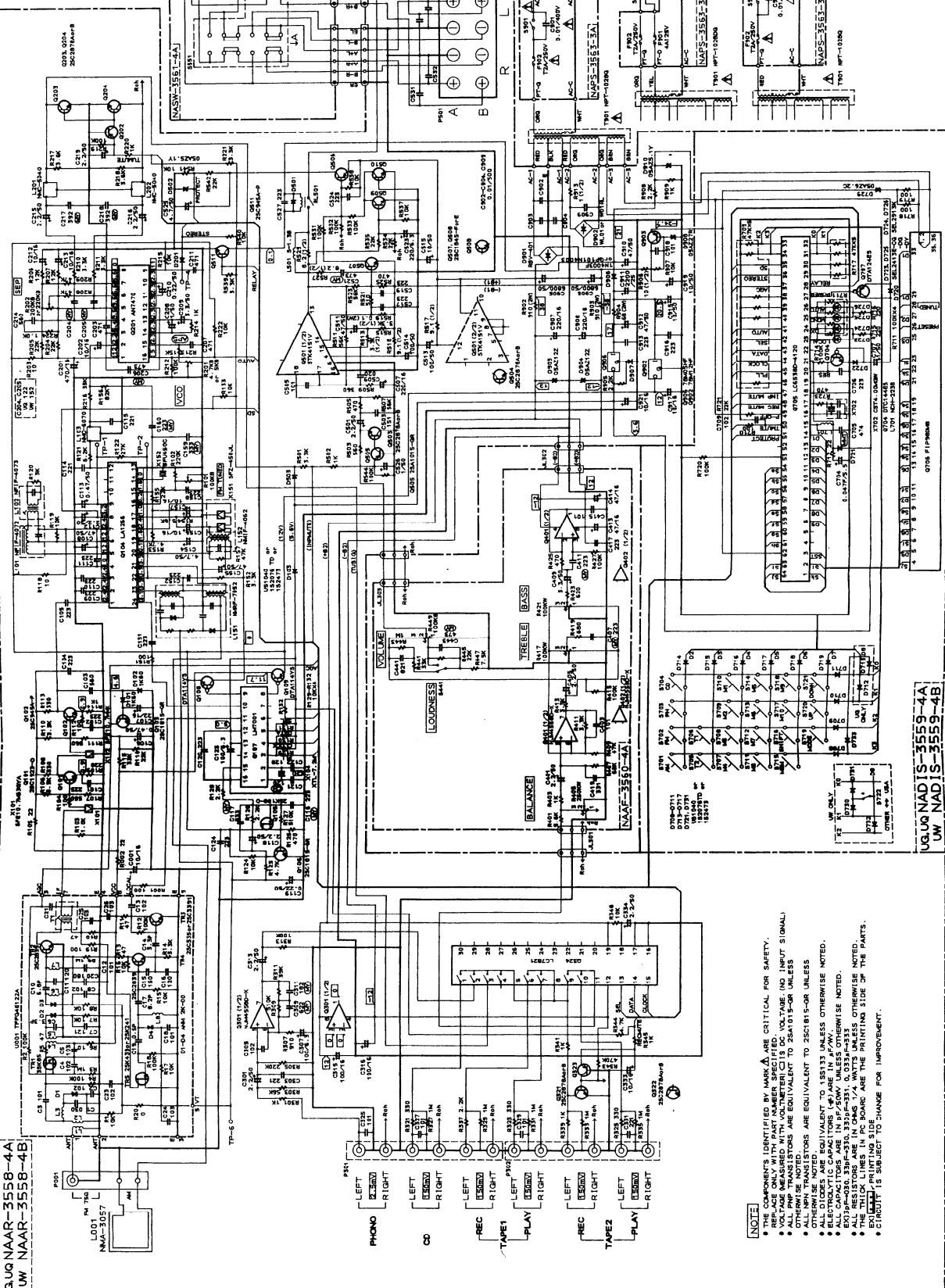
E

F

G

SCHEMATIC DIAGRAM

— OTHER MODELS —



UQ, UG NAAR-3558-4A
 UW NAAR-3558-4B
 NAD-3557
 LDD
 100

UQ, UG NADIS-3559-4A
 UW NADIS-3559-4B

- NOTE:**
- ◆ COMPONENTS IDENTIFIED BY MARK **A** ARE CRITICAL FOR SAFETY. REPLACE ONLY WITH PART NUMBER SPECIFIED.
 - ◆ VOLTAGE MEASURED WITH VOLTMETER (DC VOLTAGE AND INPUT SIGNAL) OTHERWISE NOTED.
 - ◆ RESISTORS ARE EQUIVALENT TO 20% TOLERANCE UNLESS OTHERWISE NOTED.
 - ◆ OTHER RESISTORS ARE EQUIVALENT TO 10% TOLERANCE UNLESS OTHERWISE NOTED.
 - ◆ ALL DIODES ARE EQUIVALENT TO 1N4148 UNLESS OTHERWISE NOTED.
 - ◆ ALL CAPACITORS ARE IN P.P.F.M. UNLESS OTHERWISE NOTED.
 - ◆ EXCEPT FOR 22P AND 22N, 0.033μ AND 0.033nF, OTHERWISE NOTED.
 - ◆ THE THICK LINES IN PC BOARDS ARE THE PRINTING SIDE OF THE PARTS.
 - ◆ EXCEPT PRINTING SIDE
 - ◆ CIRCUIT IS SUBJECT TO CHANGE FOR IMPROVEMENT.

ONKYO CORPORATION

1

2

3

4

5

6

SERVICE PROCEDURES

1.Replacing the fuses

For continued protection against fire hazard,replace only with same type and same rating fuse.

D (120V) model

Circuit no.	Part no.	Description
F901	252049	4A(ST-6),Primary

G (220V) and Q (240V) models

Circuit no.	Part no.	Description
F902	252074	2 A-SE-EAK,Primary

W (Worldwide) model

Circuit no.	Part no.	Description
F901	252049	4A(ST-6),Primary
F902	252074	2 A-SE-EAK,Primary

2.Safety-check out

(Only U.S.A. model)

After correcting the original service problem,perform the following safety check before releasing the set to the customer.

Connect the insulating-resistance tester between the plug of power supply cord and nickel screw on the back panel.

Specifications: 3.3Mohm \pm 10% at 500V.

3.Change of voltage

Worldwide models are equipped with a voltage selector to conform with local power supplies. This switch is located on the back panel. Be sure to set this switch to match the voltage of the power supply in your area before turning the power switch on.

This switch is set to 220V at the factory. Voltage is changed by sliding the groove in the switch with the screwdriver to the right or left. Confirm that the switch has been moved all the way to the right or left before turning the power switch on.

4.Step band selector switch

Worldwide models are equipped with a step band selector switch. This switch is located on the back panel. This switch is set to 50kHz (FM) and 9kHz (AM) at the factory, but may have to be reset to 100kHz and 10kHz depending on the area where the unit is used.

De-emphasis	FM step	AM step
Europe: 50 μ sec	50kHz	9kHz
U.S.A.: 75 μ sec	100kHz	10kHz

5.Changing the band step

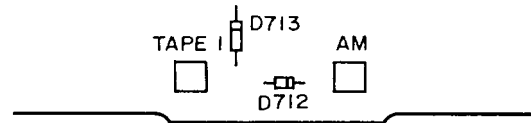
With the exception of the models below, a BAND STEP selector switch is not provided.
(FM)

MODEL	BAND STEP	D713	R122
UD	100kHz \rightarrow 50kHz	Additional	27k Ω \rightarrow 27k Ω
UG/UQ	50kHz \rightarrow 100kHz	Eliminated	27k Ω \rightarrow 13k Ω

(AM)

BAND STEP	D712
10kHz \rightarrow 9kHz	Additional
9kHz \rightarrow 10kHz	Eliminated

In D712 ISS133 (Part No. 223163) is used. In D713 US1040 (Part No. 223150) is used. R101, with the muting amplitude determined, is on the back panel side of the tuner circuit printed circuit board assembly test points TP-1 and TP-2. (Refer page 13)



6.Memroy preservation

This unit does not require memory preservation batteries. A built-in memory power back-up system preserves contents of the memory during power failures and even when the unit is unplugged. The unit must be plugged in and the power switch turned on and off once in order to charge the back-up system. Note that since this is not a permanent memory,the power switch must be turned on and off a few times each month to keep the back-up system operative. The period of time during which memory contents are preserved after power has last been turned off varies depending on climate and placement of the unit. On the average, memory contents are protected over a period of 3 to 4 weeks (a minimum of 2 weeks) after the last time power has been turned off. This period is shorter when the unit is exposed to very high humidity or used in an area with an extremely humid climate.

— OTHER MODELS —

